

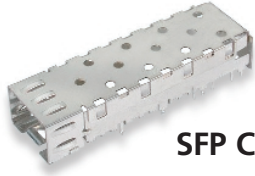
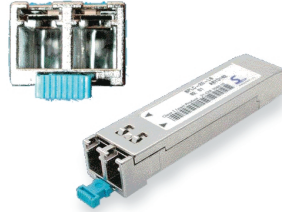
SMALL FORM FACTOR PLUGGABLE (SFP) FAMILY OF PRODUCTS

SPLC-20

*Bail Actuator



SFP Loopback Tester



SFP Cages

Stratos Lightwave offers a wide variety of Small Form Factor “pluggable” products. The SFP Transceivers are “hot-pluggable”, allowing the transceivers to be removed or added while the system is fully operational. This feature facilitates mission critical networking and field service operations where the system cannot be turned off. Stratos SFP transceivers also come with many options and operate in virtually any communication protocol. Our 2X Fibre Channel version is rate-agile able to interoperate in systems for speed auto-negotiation between 1x or 2x Fibre Channel. The SONET compliant version operates in OC-3, OC-12, and OC-48 applications. Plus, they come with a number of latch options, for design flexibility and user preference (See picture).

Stratos also offers the SFP Loopback Tester. This module tests port operation in hubs and other systems using MSA compliant SFP Transceivers. The loopback uses EEPROM to check for electrical signal integrity and vendor identification.

In addition, Stratos has a robust selection of SFP cages. The cages come either in one piece or two piece constructions, and in these three types: SFP Standard, Press Fit, and PCI. The Press-Fit cage is especially designed with diamond shaped leads, which press fit into the PCB for bell-to-belly mounting.

Stratos Lightwave manufactures all SFP products to be compliant with industry requirements and standards.

Protocols Available SFP Transceiver

- OC-3/Fast Ethernet* (155 MBaud)
- OC-12* (622 MBaud)
- Gigabit Ethernet (1.25 GBaud)
- Fibre Channel (1.0625 GBaud)
- 2x Fibre Channel (2.125 GBaud)
- OC-48* (2.488 GBaud)

*SONET Compliant

Features SFP Transceiver

- 850 or 1310 nm Lasers
- Single +3.3 Volt Power Supply
- Serial ID functionality
- CML Rx Output
- Compliant with MSA SFP specification
- 50Ω AC Coupled PECL & CML Inputs/Outputs
- Bail Actuator*-Operator Friendly, Securely locks the module in place (**NEW!**)

Functionality SFP Loopback Tester

The Stratos loopback transmitter inputs receive signals and loops the signal back to the port driver circuitry via receiver outputs.

Features SFP Loopback Tester

- Die Cast Metal Housing
- Single +3.3 Volt Power Supply
- Serial ID functionality
- LED Light to indicate Power ON

Features SFP Standard Cage

- Comes with or without connector
- Comes as 1 or 2 piece construction (Top and bottom cage available separately)
- Non-Focused Infrared Soldering—no discoloration

Features SFP Press Fit Cage

- Comes with or without connector
- Comes pre-assembled in one piece
- No soldering required

Features SFP PCI Cage

- Comes with or without connector
- Comes as 1 or 2 piece construction (Top and bottom cage available separately)
- Non-Focused Infrared Soldering—no discoloration



Innovation Brought To Light

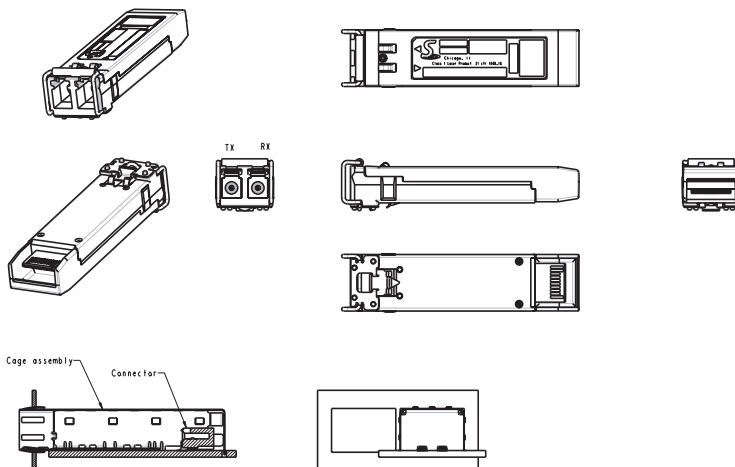
SMALL FORM FACTOR PLUGGABLE (SFP) FAMILY OF PRODUCTS

SFP Transceiver

with Bail Actuator

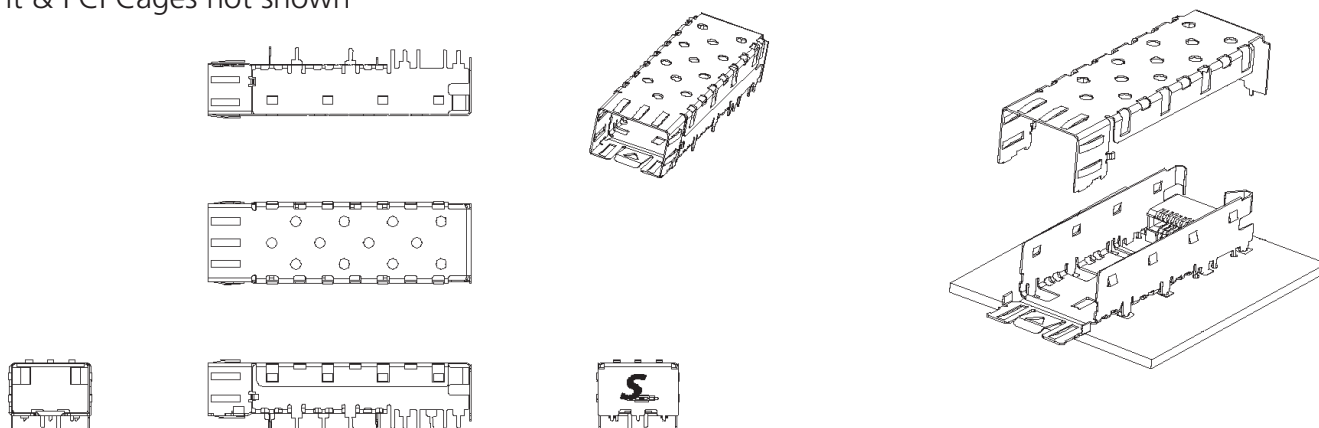
*Dog Leg And Push Pull Actuators not shown

*SFP Loopback Tester not shown



SFP Standard Cage

*Press Fit & PCI Cages not shown



Part Numbering Scheme/Ordering Information

Please contact Stratos Lightwave directly for further part number and ordering information.

Related Products

EMI Dust Plug
SMT Connector

Company Contact Information

North America

7444 W. Wilson Avenue
Chicago, IL 60706
(708) 867-9600 Fax:(708) 867-9621
(800) 323-6858
www.stratoslightwave.com

Europe

Hollands Road Industrial Estate
Haverhill, Suffolk CB9 8PR
United Kingdom
+44 (0) 1440 706441
Fax: +44 (0) 1440 762044



Innovation Brought To Light