



Stratos introduce the new HDLC Butt Joint Series connector, to compliment the existing and wide range of harsh environment products. The HDLC uses the innovative design of the LC™ connector, already industry proven in both singlemode and multimode applications. The HDLC ideally suits Broadcast, Telecommunications and Surveillance applications where size, space and weight are critical.

The unique design of the HDLC allows users to remove the entire optical Insert from the front of the bulkhead connector without removing the connector from the equipment panel, allowing easy clean and repair of optical contacts. Other benefits include the provision to ruggedise existing LC™ patchleads into a HDLC.

Rapid deployment and 'daisy chaining' is achieved with hermaphroditic designs, eliminating the need for adaptors or male and females mating halves. Hermaphroditic interconnection; facilitates expansion of cable distances by insertion of standard cable harnesses. For complete environmental protection the HDLC can be supplied with an IP67 fully sealed strain relief cover.

The HDLC Butt Joint Series delivers a proven pedigree and world beating capability.

Features:

- LC™ Butt Joint configuration
- Bulkhead removable insert
- Hermaphroditic interconnection
- 2 Fibre channels
- Singlemode or Multimode
- Field repairable

Benefits:

- No adaptors necessary
- Small coupling diameter of 22mm
- Minimal internal bulkhead protrusion
- Lightweight
- Standard LC™ termination procedure

Applications:

- Broadcast
- Telecomms
- Surveillance
- Military communications

Materials:

- Shell - Anodized high grade lightweight alloy

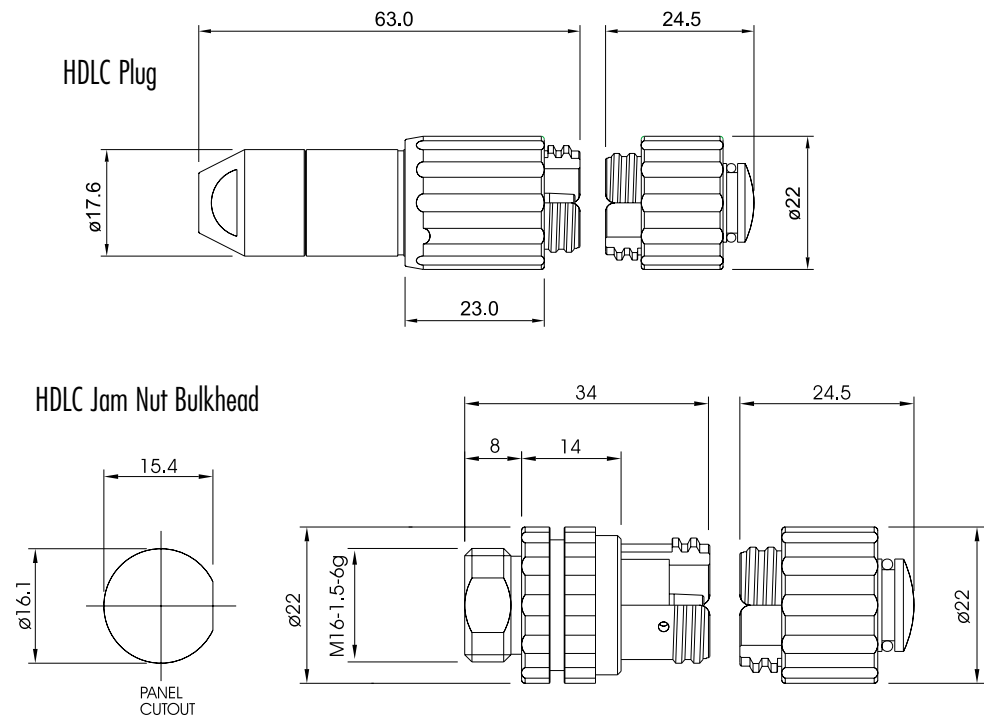


Performance:	
Optical Loss	50/125 @ 850/1300nm 0.2 dB typ 9/125 @ 1310/1550nm 0.1 dB typ
Return Loss	9/125 @ 1310/1550nm >45dB (typical 48dB)
Operating temperature	-40 to +70(C)
Storage temperature	-55 to +85(C)
Water immersion	up to 1M depth IP 67
Vibration Sinusoidal	10-500Hz, 0.75 amplitude @ 10g acceleration
Free fall resistance	500 falls onto concrete from 1.2M height
Bump resistance	4000 bumps @ 40g acceleration
Tensile Strength	Tensile of 1500N, cable dependent
Cable Variations	Compatible with tactical cable: ≤5.5mm outer diameter Other cable sizes available on request

All tests compliant to BS EN 186000-1 specifications

Technical Drawings

All dimensions are in mm



Planform



2 channel

Insert removal tool TLTO14000 can be ordered for the HDLC
Protective caps are included with assemblies unless otherwise stated
Termination and repair kits are available

Stratos Ltd. is registered to BS EN ISO9001

Whilst due care has been taken to ensure the contents of this data sheet are accurate, Stratos Lightwave™ cannot accept liability for any errors or omissions that may occur. We reserve the right to alter specifications of products without prior notice.



Hollands Road Industrial Estate, Haverhill,
Suffolk CB9 8PR England
Tel +44(0)1440 706441 Fax +44(0)1440 762044

Sofortkontakt unter:
Herr Michael Vollmann
+49 7132 9969-15
E-Mail: vollmann@sinus-electronic.de

