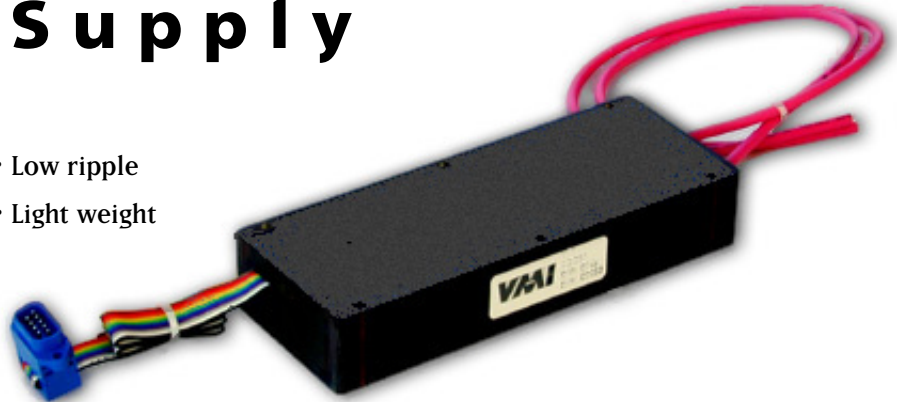


XRS Series

Portable X-Ray Power Supply

Series Features:

- Voltage & current programming
- Voltage & current monitoring
- Excellent load & line regulation
- Low ripple
- Light weight



FEATURES/SPECIFICATIONS

Electrical Ratings

Part Number	V _{MAX} kV	I _{MAX} μA
XRS035N100	-35	100
XRS040N200	-40	200

Environmental:

- Storage: -20°C to +70°C
- Operating: 0°C to 50°C

XRS Series

The XRS Series power supplies provide up to 8 watts of output power up to -40kV max. The outputs are fully adjustable over the specified operating range. Rugged and light weight, the XRS series brings you the features you need with the proven reliability and quality built in to all VMI's products.

Call VMI sales today to discuss your high voltage X-Ray power supply requirements. From standard innovation to custom solutions, VMI is your best choice.

Specifications

Input Voltage:

- +12VDC \pm 10%

Reverse Polarity Protection:

- Series Diode

Max Power Output:

- 8 Watts

Output Voltage Range:

- -10kVDC to -40kVDC

Output Current:

- 0 to 200uA

Interface Signals:

- Output Voltage Control
- Output Voltage Monitor
- Output Current Control
- Output Current Monitor
- Enable

Filament Voltage:

- 2VDC nominal

Filament Current:

- 300mA Max.

Output Ripple Voltage:

- <1% peak to peak

Load Regulation:

- 1% for NL to FL change

Line Regulation:

- 1% over input range

0-4V = 0-100% \pm 2% of output

0-4V = 0-100% \pm 2% of output

0-4V = 0-100% \pm 2% of output

0-4V = 0-100% \pm 2% of output, +2μA

+5VDC = ON, <1VDC = OFF

Dimensions: In. (mm) • Data subject to change without notice.

1.559.651.1402

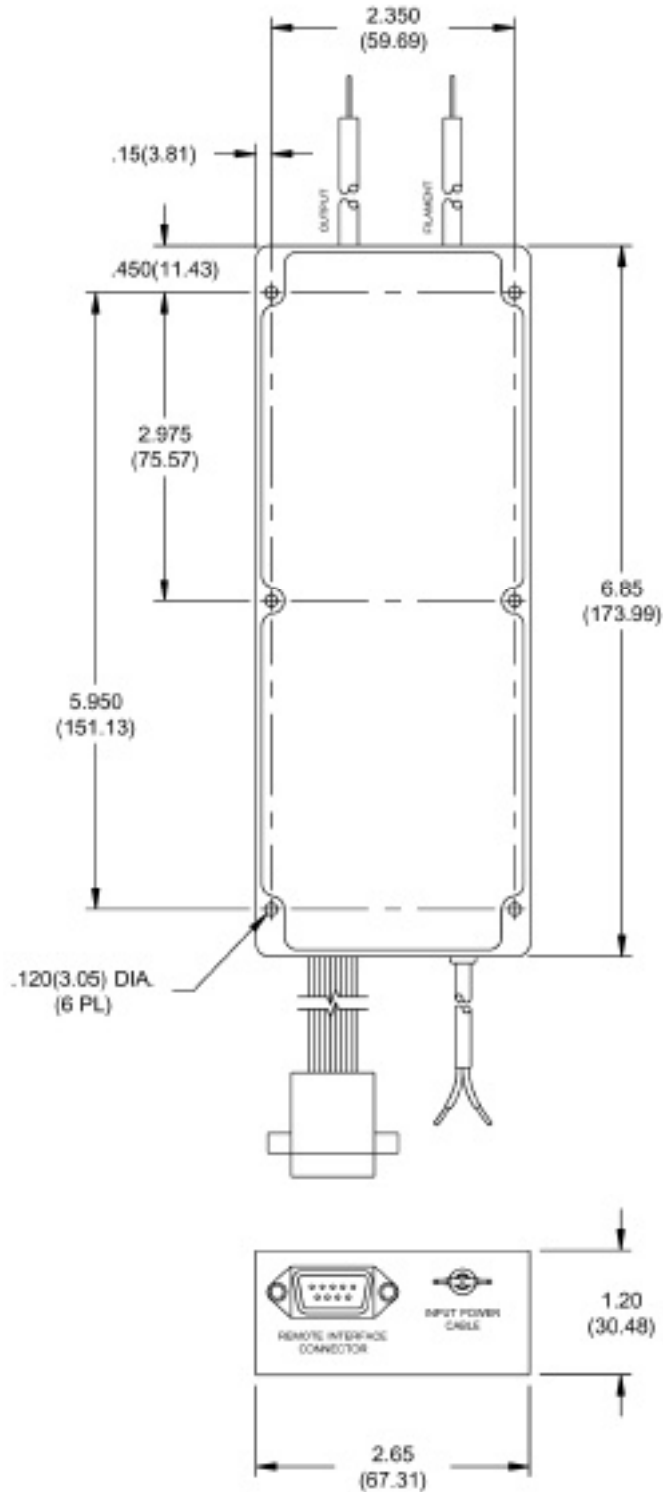
www.voltagemultipliers.com

High Voltage Innovation.

XRS Series

XRS035N100 • XRS040N200

FEATURES/SPECIFICATIONS



INPUT	
RED	+12VDC
BLACK	Ground

INTERFACE	
Voltage Program	
Enable	
Current Monitor	
Current Program	
Filament Ready	
Voltage Monitor	

Voltage Multipliers, Inc.
8711 W. Roosevelt Ave.
Visalia, CA 93291

1.559.651.1402

www.voltagemultipliers.com

High Voltage Innovation.